

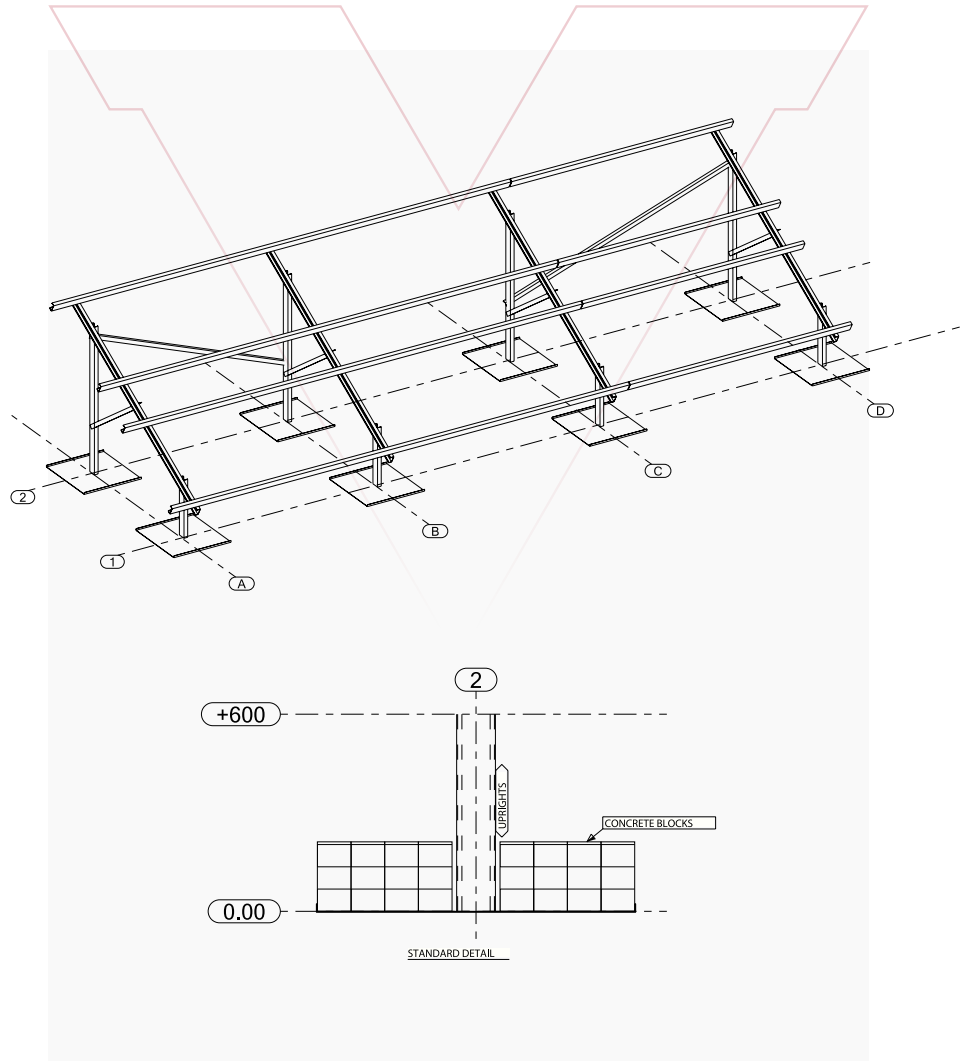
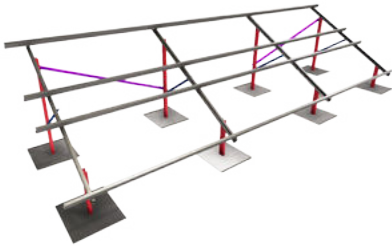
Ballast Mounting Systems

BALLAST

The Solar Mounting Ballast system is designed for ground conditions requiring a non-intrusive solution. This Ballast system is most popular in situations that call for a combination of bespoke design, durability, and adaptability.

25 YEAR WARRANTY

Manufactured with the highest quality materials, this system comes with a 25-year product warranty as standard.



Application	Low penetration ground types (Landfill and made-up ground)	
System type	Twin post / Single Post	
Module layout	2inP, 1inP, 3inP, 3inL & 4inL	
Panel Inclination	10 - 30 Degrees	
Design	BS EN 1991-1-4:2005 + A1:2010 & BS EN 1991 Parts 1, 3 & 7 (Eurocodes)	
Material	S450 – ZM310, ZM620	Piles, rafters, purlins, braces, uprights
	6063 T6 to BS EN 755-9	Panel clamp

T: 01384 566 127 E: sales@venturesteelgroup.com W: www.venturesteelgroup.com

© Venture Pressings Ltd 2024. All rights reserved. 57 Cradley Road, Cradley Heath, West Midlands, B64 6AG, UK

Fundamental basic UK wind velocity within the UK up to 28m/s
 0.7 kN/m² max snow load

